

SARS-CoV-2/Flu/RSV Simultaneous Detection Kit

Three Respiratory

Key Summary

- 40 minutes of turn-around-time using **genechecker** UF-300 and UF-340 system
- Simple workflow for minimized user handling for multi-target detection
- Excellent testing performance assured by high sensitivity and specificity
- Assay is designed to detect COVID-19, Flu A&B, and RSV A&B viruses at one PCR run
- Compact and affordable solution that suits any application

WHY IS IT IM

In the post-COVID era, the world needs a rapid and accurate diagnosis solution of different respiratory viruses for the appropriate patient management. Currently, testing for respiratory viruses is increasingly dependent on molecular assays, such as PCR, which can provide highly sensitive and accurate results. Increasingly, multiplex PCR are being used for respiratory virus detection, enabling the simultaneous detection of all significant respiratory viral targets. **smartchek** SARS-CoV-2/Flu/RSV Detection Kit is a reverse transcription real-time polymerase chain reaction assay intended for diagnosis to respiratory infectious disease with **genechecker** UF-300 / UF-340 real-time PCR platform.

BETTER DETECTION ASSAY TO ENHANCE YOUR TESTING EFFICIENCY

This assay is containing COVID-19, Flu A&B, and RSV A&B specific primer pairs and can diagnose 5 main respiratory viruses infection in 40 minutes. This assay uses real-time polymerase chain reaction (PCR) technology and TaqMan[®] Probe chemistry to detect target genes. Through PCR process, target-specific primers and probes combine with a single strand of cDNA and amplify using polymerase enzymes included in the premix formulation. Real-time amplification curves are displayed on the **genechecker** UF-300 / UF-340 real-time PCR platform by the method of monitoring fluorescence signals generated from the reporter dye on 5' end of the probes after exonuclease activities.

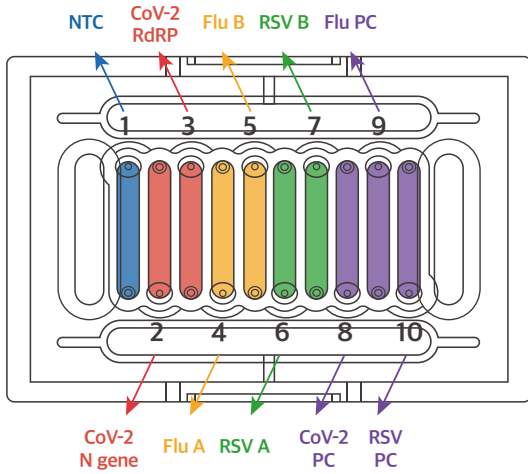
THE KIT IS DESIGNED TO DETECT 5 MAIN RESPIRATORY VIRUSES AT ONE PCR RUN

smartchek SARS-CoV-2/Flu/RSV Simultaneous Detection Kit Detection Kit has been developed to detect SARS-CoV-2, Flu A&B and RSV A&B. The primer pairs and probes for these multi-target genes are pre-labeled (dehydrated) in the wells of the test chip so that the user won't need to pipette primers and probes for running the test.

KIT CONTENTS / STORAGE

No.	Contents	Volume / Quantity	Description	Storage
1	Test Chip	25EA	Individually vacuum packed	Store at below -20°C
2	Premix	250 µL x 5tubes	Tubes with blue label on the cap	
3	Water	100 µL x 5tubes	Tubes with white label on the cap	
4	5-strip tubes	25 EA	5 pieces on a plastic sheet	
5	Sealing Tape	50 tubes	For mixing premix and template	

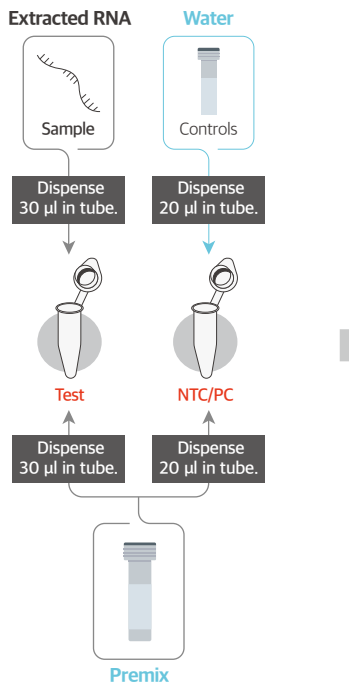
CONFIGURATION OF TEST CHIP



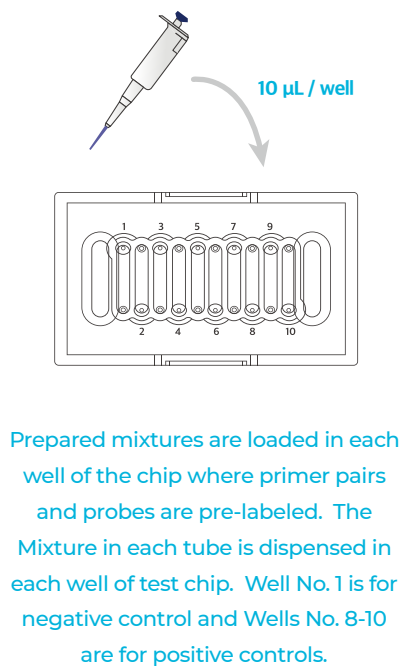
Primers and probes for detection of six different target genes are labeled in each well. Well number 1 is for running negative control and each well from number 8-10 is for running positive controls. With this test chip configuration, COVID-19, Flu A&B and RSV A&B can be tested at one PCR run.

WORKFLOW

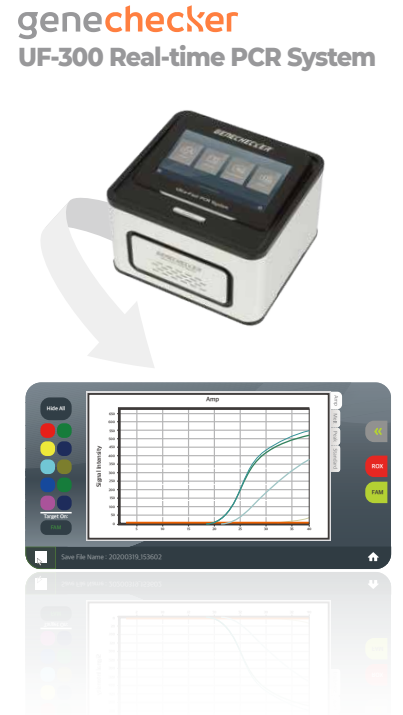
Step 1. Preparing Reaction Mixture



Step 2. Sample Loading Into Test Chip



Step 3. PCR and analysis



5 min.

40 min.

ORDERING INFORMATION

Catalog No.	Product	Pack Size
9799151500	smartchek SARS-CoV-2/Flu/RSV Simultaneous Detection Kit	25tests/PK
1399100200	genechecker UF-300 Real-time PCR System	1 SET
1499100100	genechecker UF-340 Four-in-One Real-time PCR System	1 SET

Genesystem Co., Ltd.